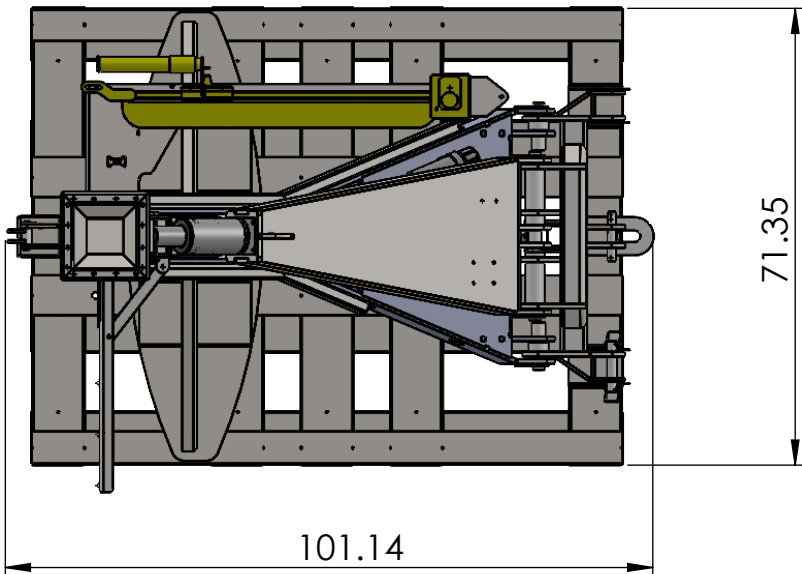
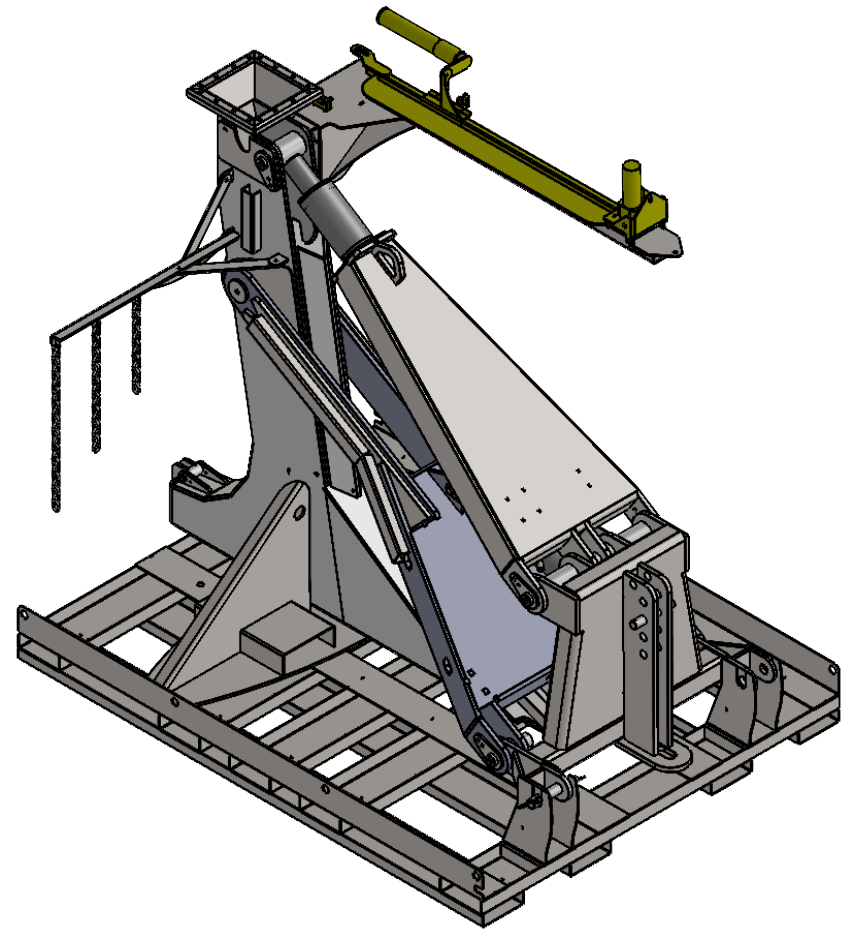


89.21



71.35

101.14



**Assembly Labour Required :**  
 1 hour to take off the skid and  
 another hour to hook up to tractor

**PROPRIETARY AND CONFIDENTIAL**  
 THE INFORMATION CONTAINED IN THIS DRAWING IS THE SOLE PROPERTY OF BAUMALIGHT. ANY REPRODUCTION IN PART OR AS A WHOLE WITHOUT THE WRITTEN PERMISSION OF BAUMALIGHT IS PROHIBITED.



Description

UPP748 shipping skid

Weight 3022.50 lbs	Thickness in.	K-Factor	DATE 28-08-2020	DWG. NO.	REV
DO NOT SCALE DRAWING	SCALE: 1:30	SHEET 1 OF 1	<b>UPP748</b>	<b>A</b>	