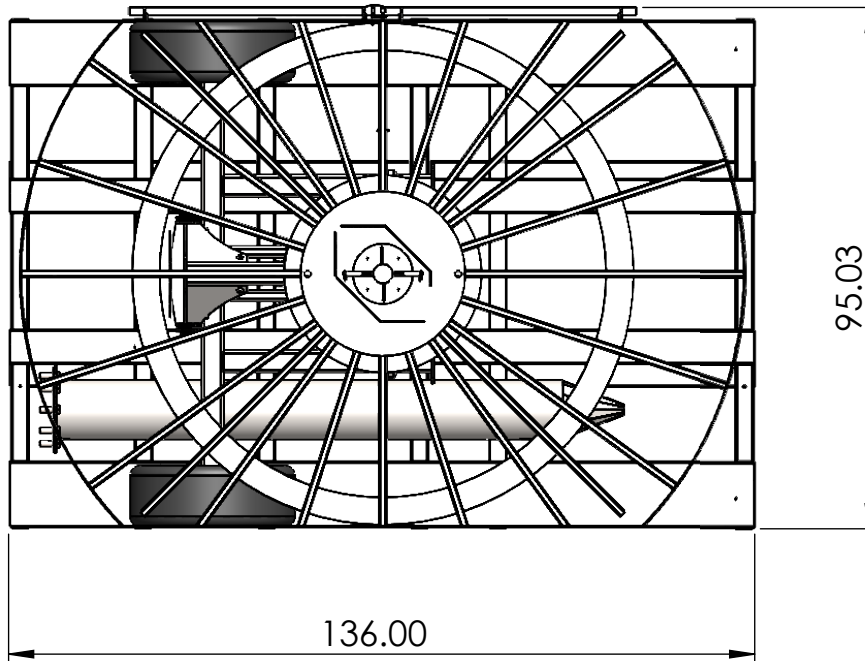
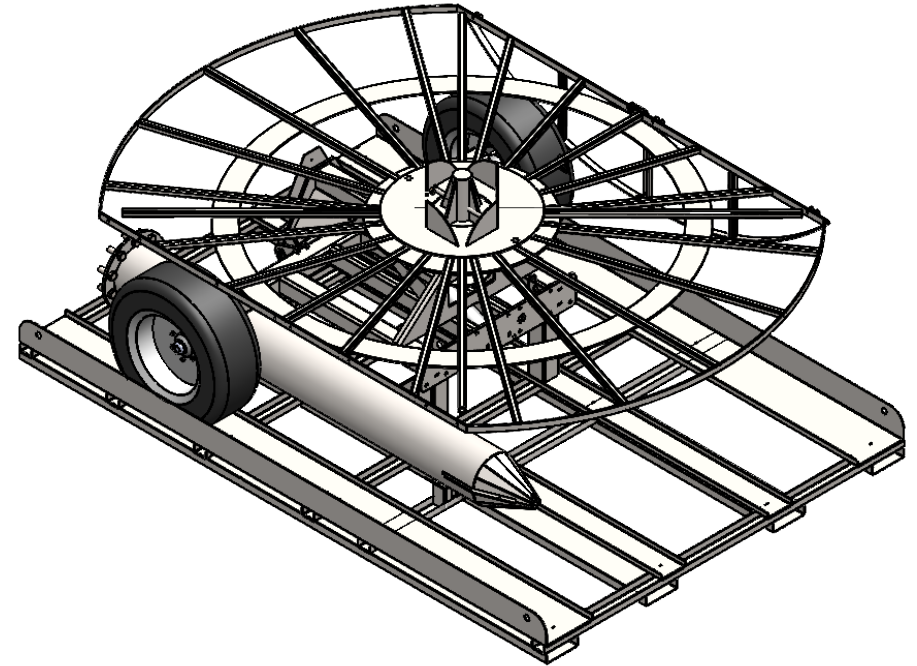


52.03



95.03

136.00



Assembly Labour Required:
2-3 hours to take off of skid

PROPRIETARY AND CONFIDENTIAL
THE INFORMATION CONTAINED IN THIS DRAWING IS THE SOLE PROPERTY OF BAUMALIGHT. ANY REPRODUCTION IN PART OR AS A WHOLE WITHOUT THE WRITTEN PERMISSION OF BAUMALIGHT IS PROHIBITED.



Description

Drainage plow Stringer

Weight 2417.18 lbs	Thickness in.	K-Factor	DATE 01-09-2020	DWG. NO.	REV
DO NOT SCALE DRAWING	SCALE: 1:35	SHEET 1 OF 1		UST510	A